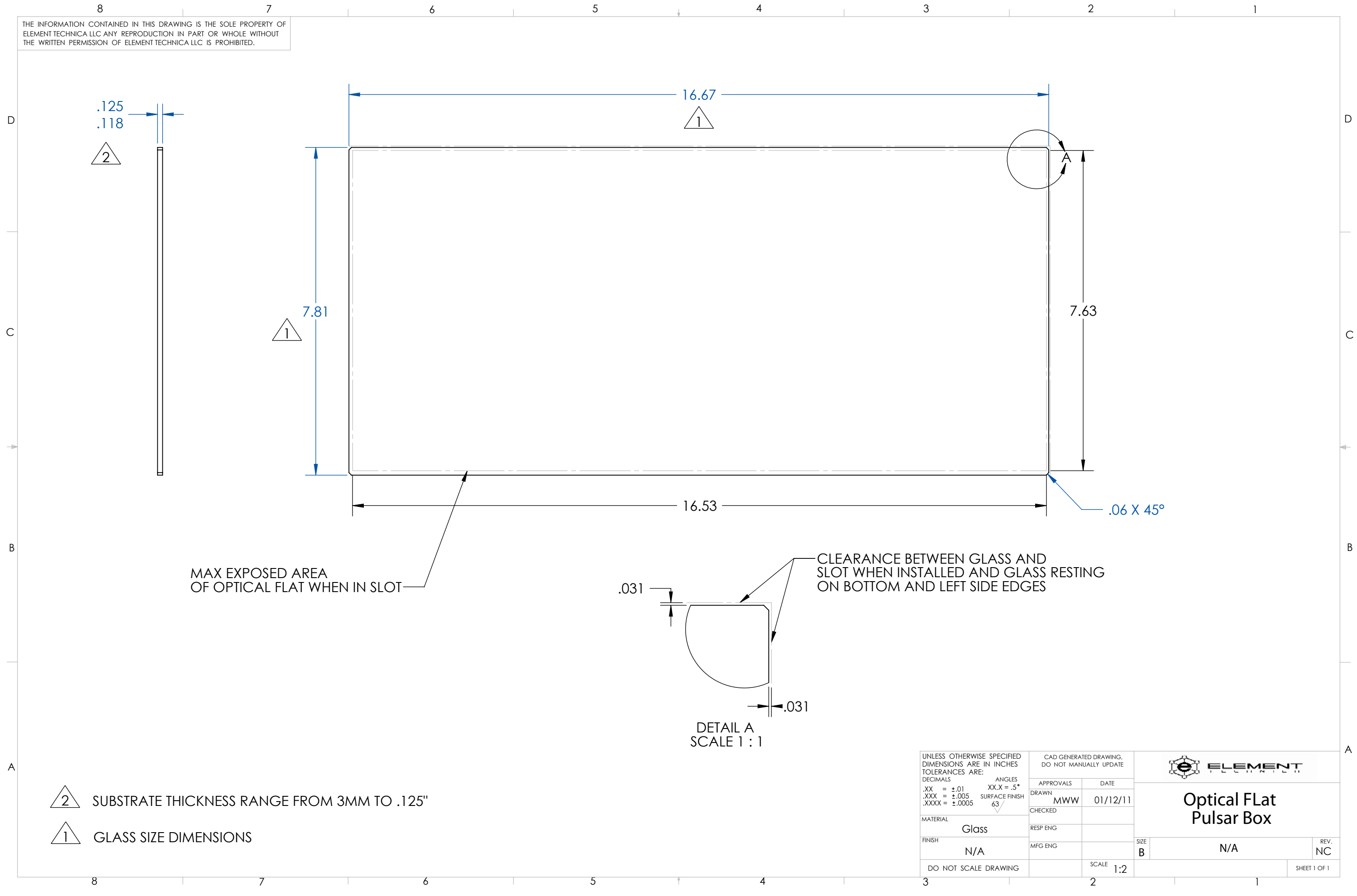


THE INFORMATION CONTAINED IN THIS DRAWING IS THE SOLE PROPERTY OF ELEMENT TECHNICA LLC ANY REPRODUCTION IN PART OR WHOLE WITHOUT THE WRITTEN PERMISSION OF ELEMENT TECHNICA LLC IS PROHIBITED.



UNLESS OTHERWISE SPECIFIED DIMENSIONS ARE IN INCHES TOLERANCES ARE:		CAD GENERATED DRAWING, DO NOT MANUALLY UPDATE			
DECIMALS		APPROVALS	DATE		
.XX = ±.01	ANGLES XX.X = .5°	DRAWN MWW	01/12/11	Optical Flat Pulsar Box	
.XXX = ±.005	SURFACE FINISH 63	CHECKED			
.XXXX = ±.0005		RESP ENG			
MATERIAL Glass		MFG ENG		SIZE B	N/A
FINISH N/A				SCALE 1:2	REV. NC
DO NOT SCALE DRAWING					SHEET 1 OF 1