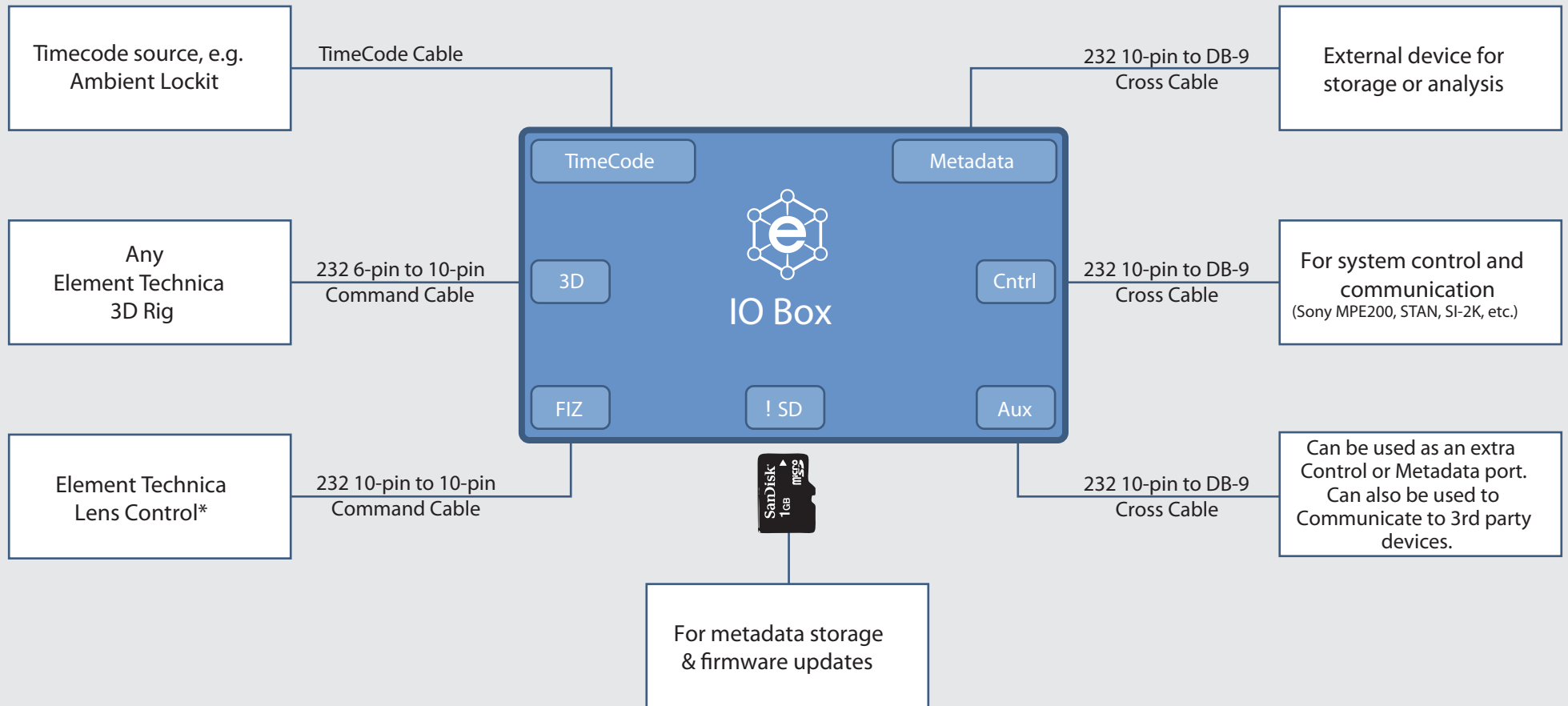


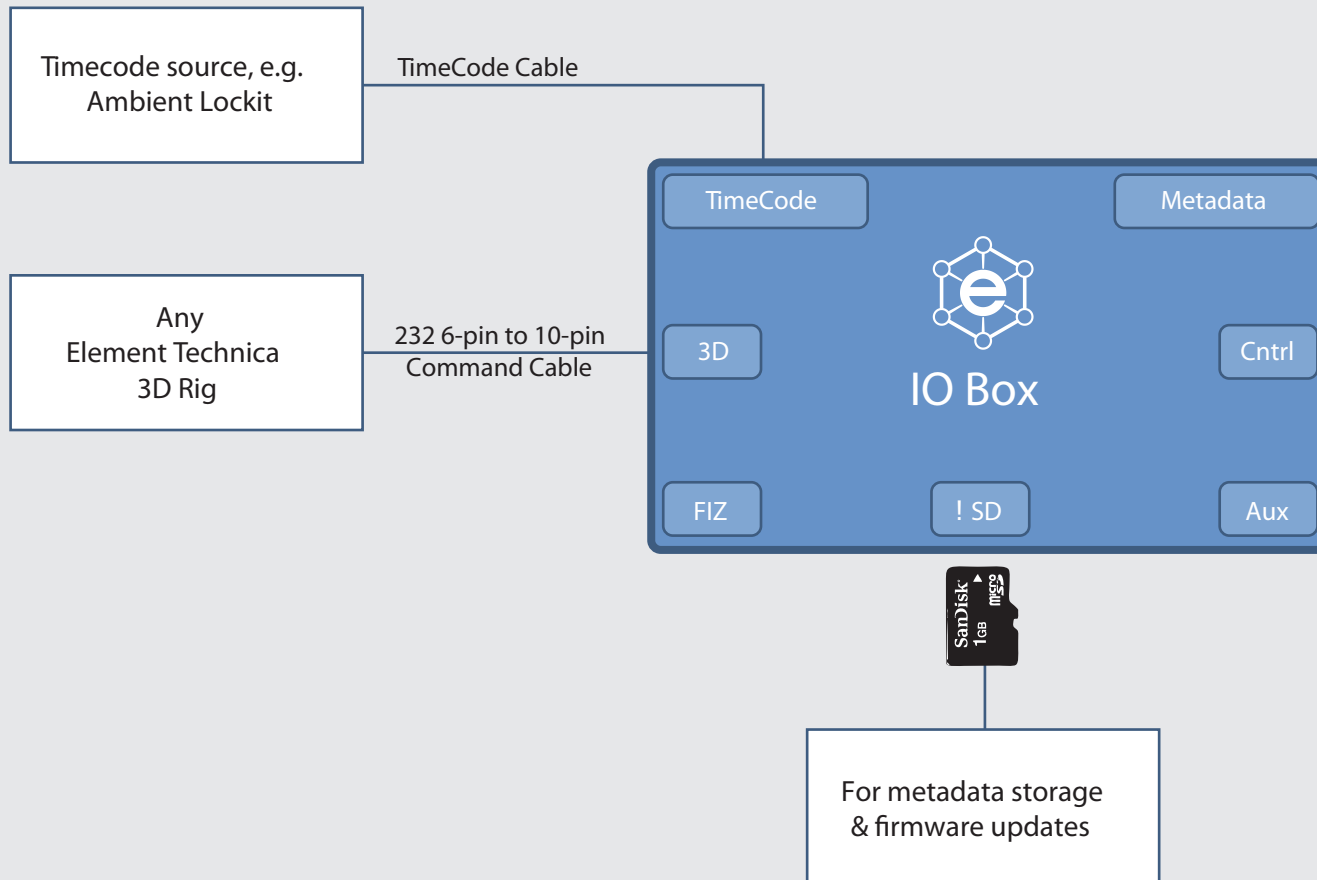
GENERAL IO BOX CONNECTIVITY



* (Cmotion/Preston can be supported)

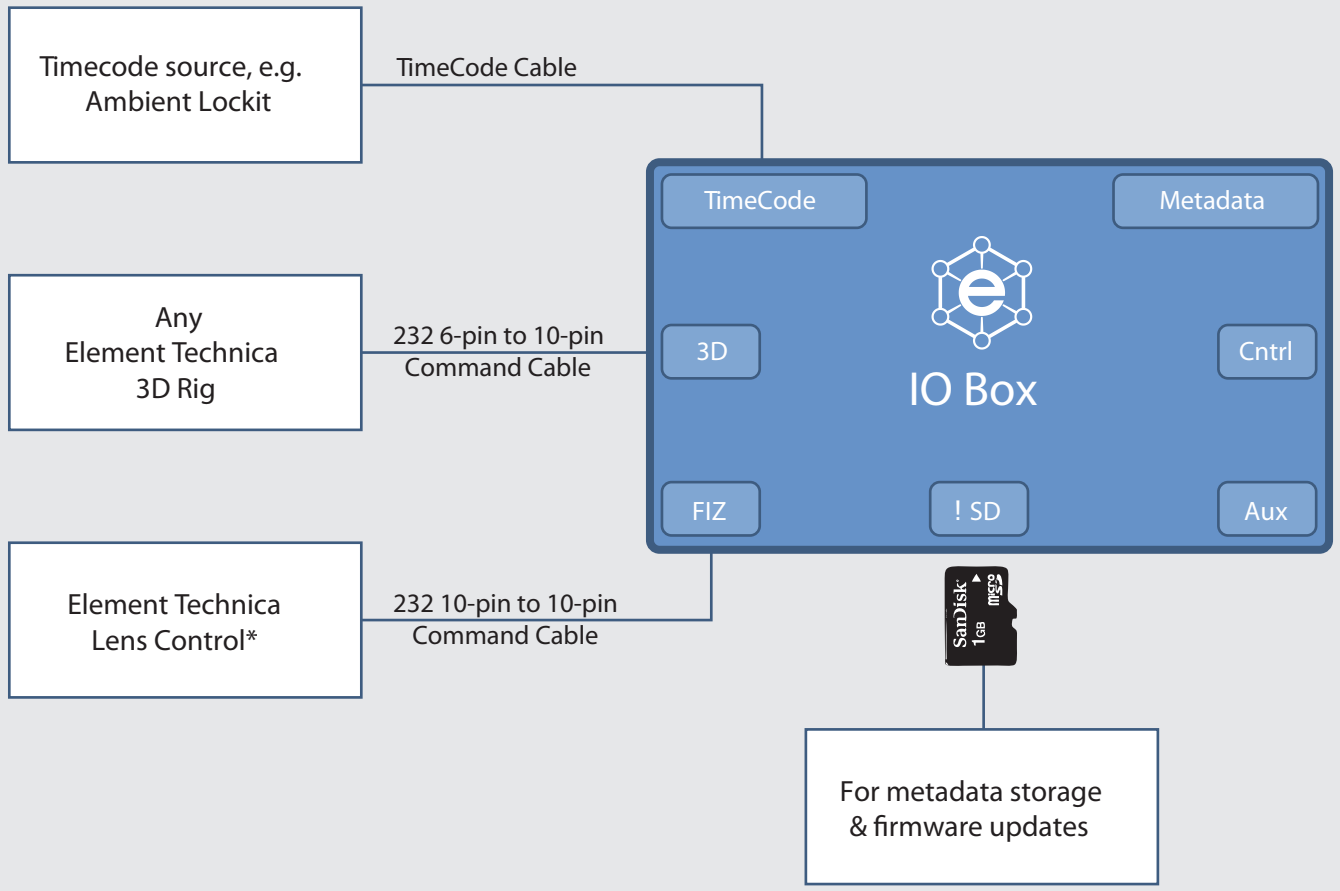


EXAMPLE 1: IO Box with 3D Metadata to uSD





EXAMPLE 2: IO Box with 3D and Lens Metadata to uSD

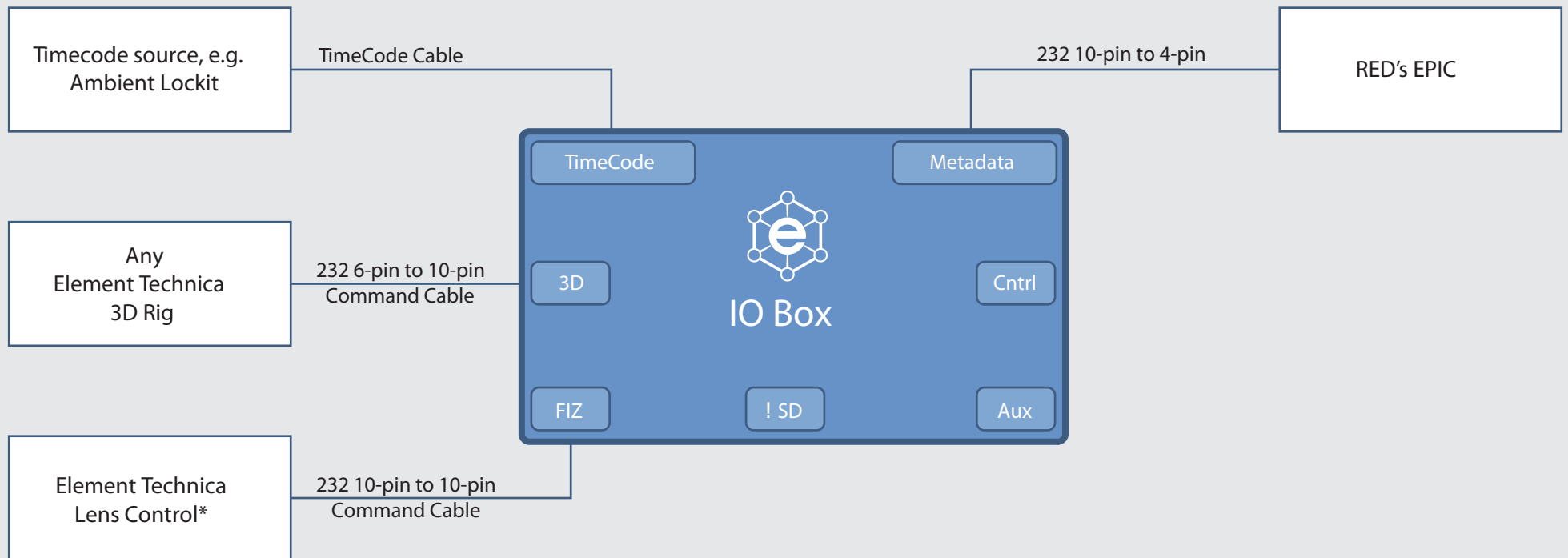


* (Cmotion/Preston can be supported)





EXAMPLE 3: IO Box with 3D and Lens Metadata to Serial Port of a Camera or Computer

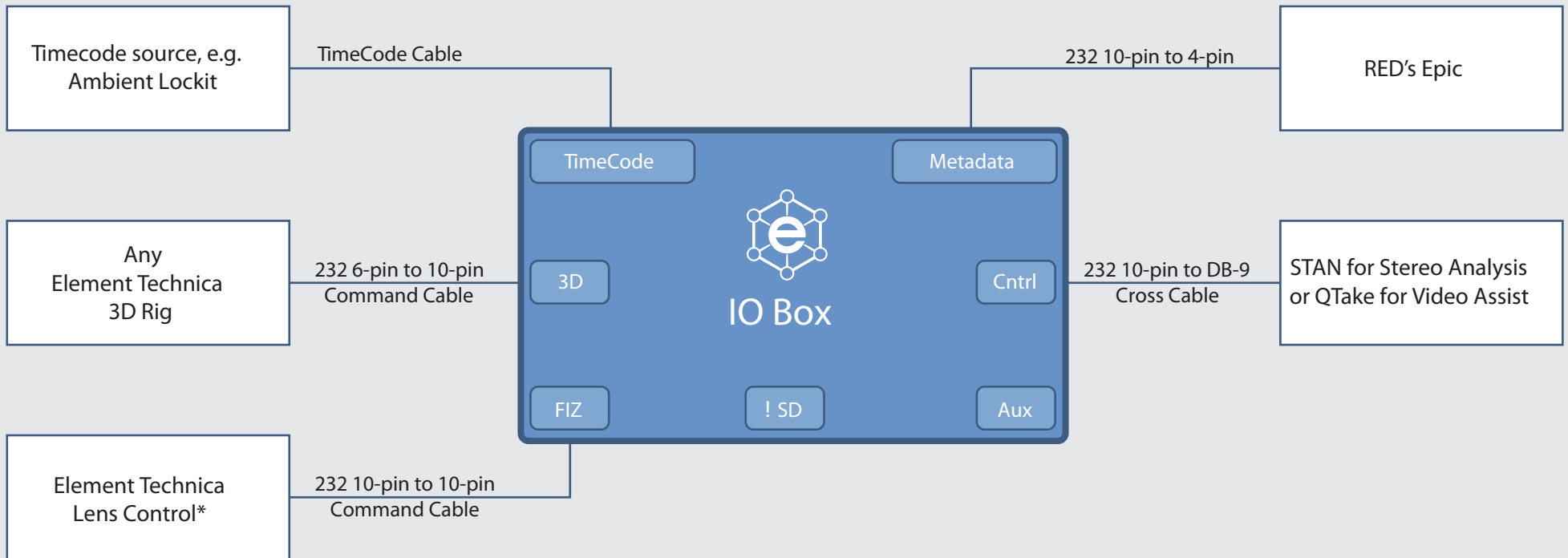


* (Cmotion/Preston can be supported)





EXAMPLE 4: Metadata to Serial Port of a Camera with a Stereo Analyzer or Video Assist Connected

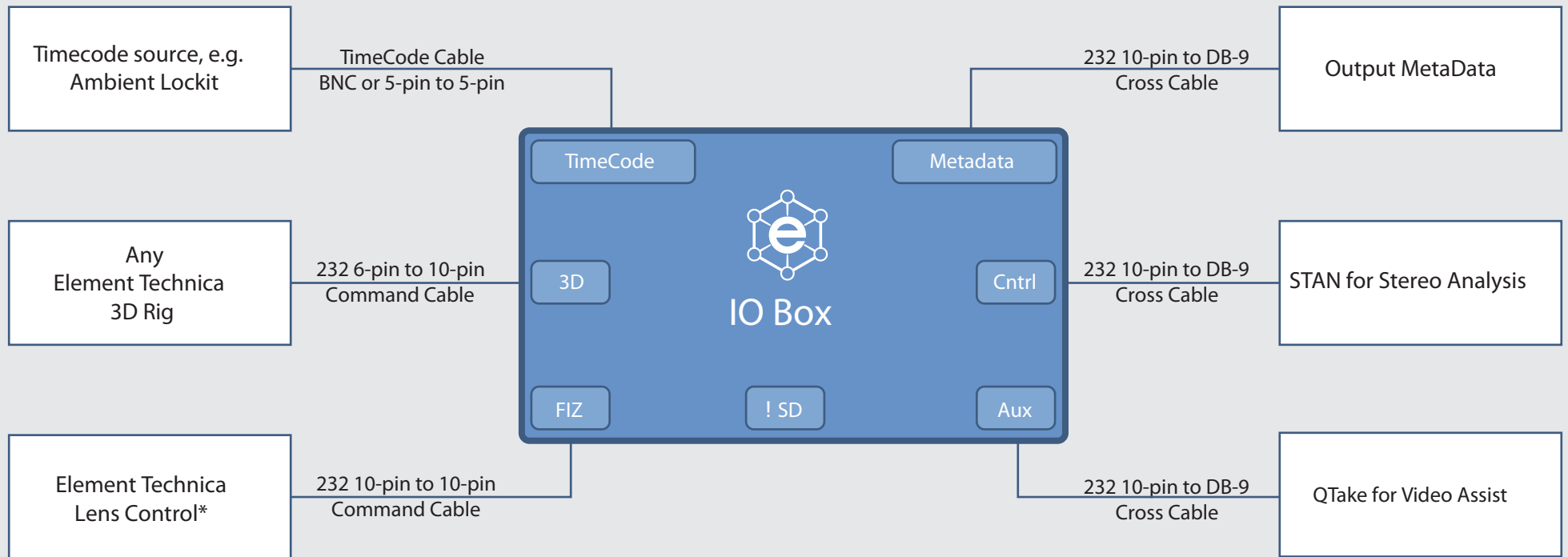


* (Cmotion/Preston can be supported)





EXAMPLE 5: Metadata to Serial Port of a Camera with a Stereo Analyzer and Video Assist Connected



* (Cmotion/Preston can be supported)

