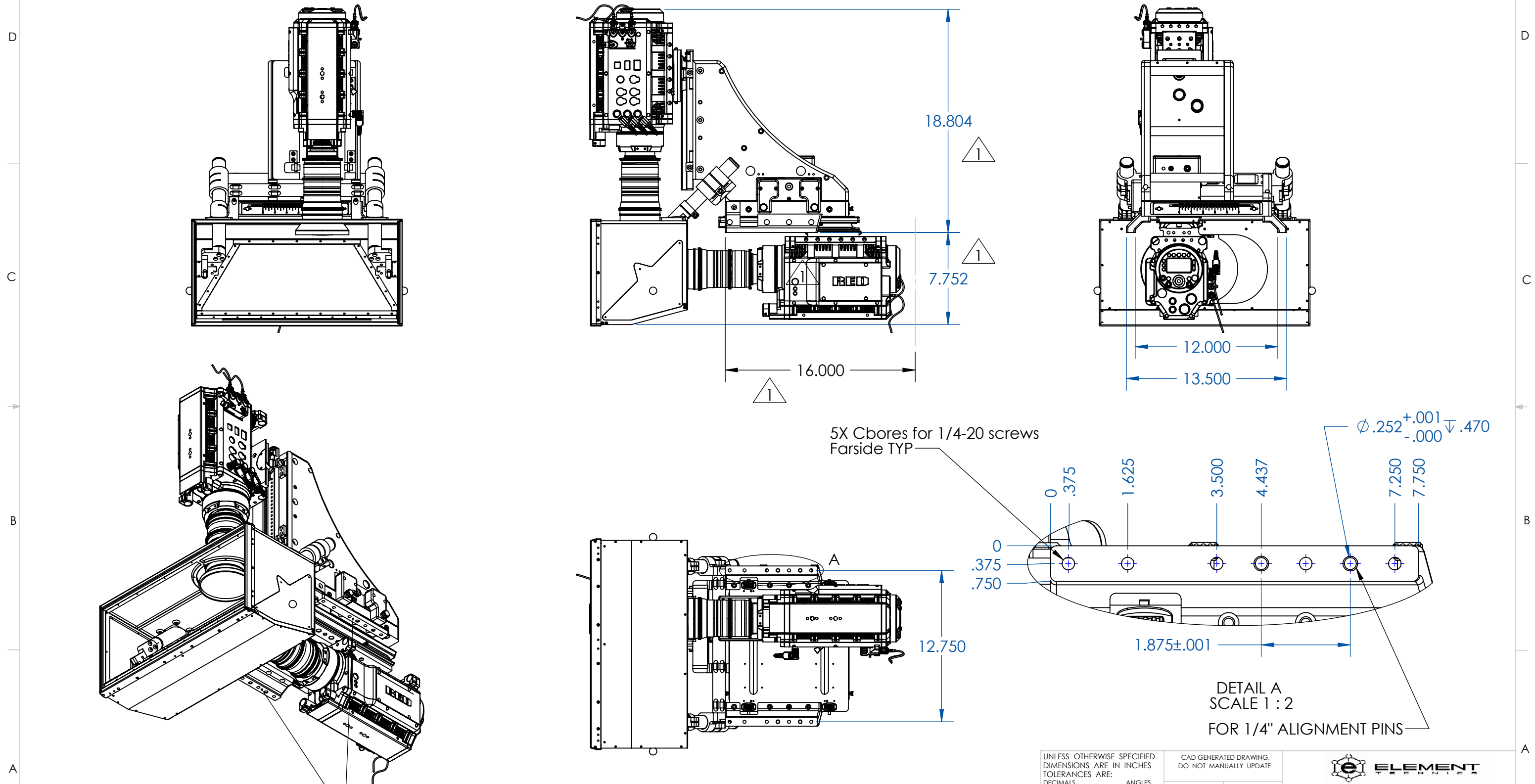


THE INFORMATION CONTAINED IN THIS DRAWING IS THE SOLE PROPERTY OF ELEMENT TECHNICA LLC ANY REPRODUCTION IN PART OR WHOLE WITHOUT THE WRITTEN PERMISSION OF ELEMENT TECHNICA LLC IS PROHIBITED.



CRANE MOUNTING LOCATION

5X BORES for 1/4-20 screws
Farside TYP

DETAIL A
SCALE 1 : 2
FOR 1/4" ALIGNMENT PINS

1 THESE DIMENSIONS WILL VARY BASED ON DIFFERENT CAMERA/ LENS CONFIGURATIONS

UNLESS OTHERWISE SPECIFIED DIMENSIONS ARE IN INCHES TOLERANCES ARE: DECIMALS .XX = ±.01 .XXX = ±.005 .XXXX = ±.0005	ANGLES XX.X = .5° SURFACE FINISH 63	CAD GENERATED DRAWING, DO NOT MANUALLY UPDATE		
		APPROVALS	DATE	
MATERIAL	N/A	DRAWN	08/02/10	QUASAR CRANE MOUNTING ASSY
FINISH	N/A	CHECKED		
DO NOT SCALE DRAWING		RESP ENG		
		MFG ENG		SIZE B
		SCALE	1:8	N/A
				REV. NC
				SHEET 1 OF 1