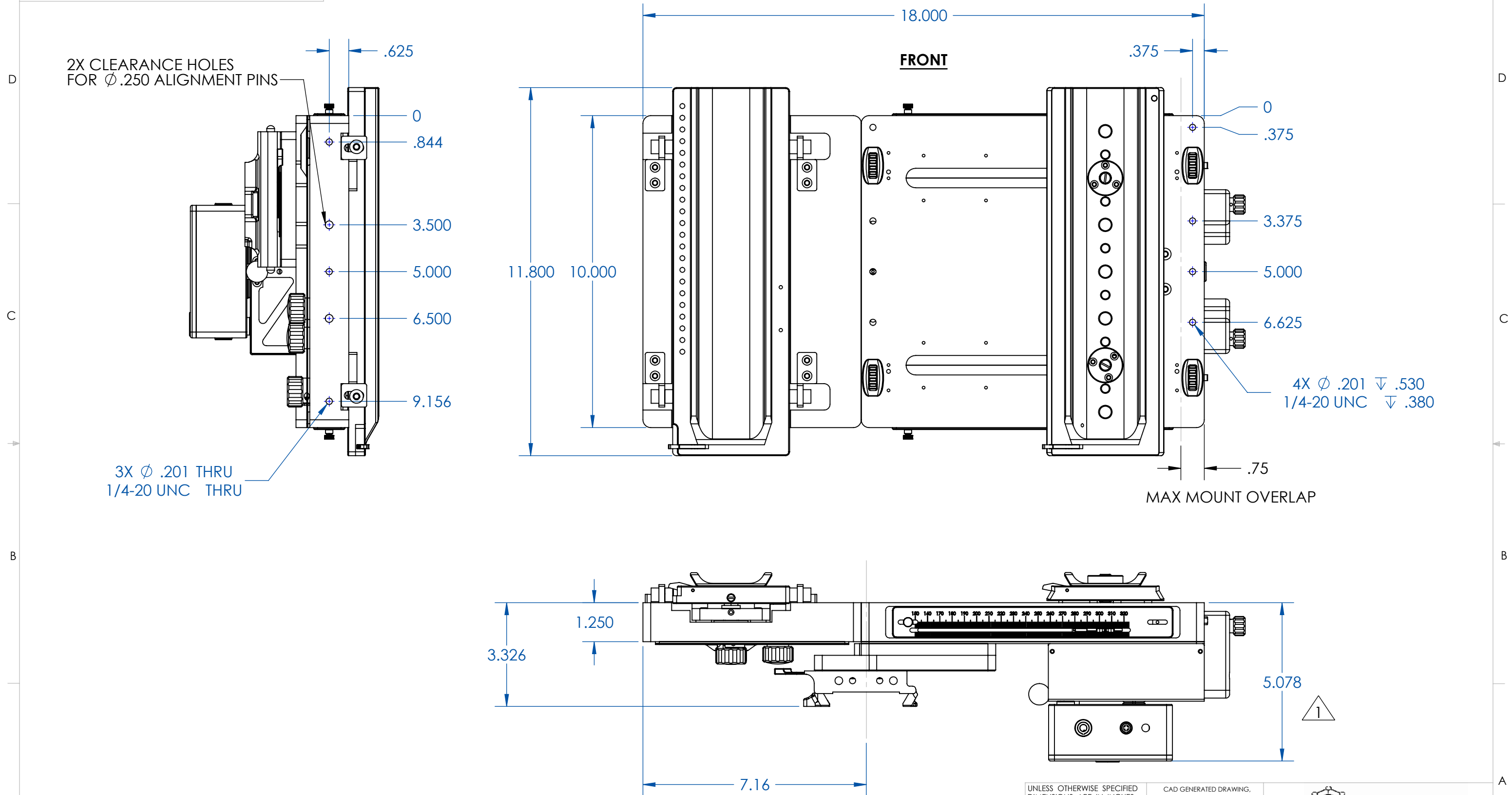


THE INFORMATION CONTAINED IN THIS DRAWING IS THE SOLE PROPERTY OF ELEMENT TECHNICA LLC ANY REPRODUCTION IN PART OR WHOLE WITHOUT THE WRITTEN PERMISSION OF ELEMENT TECHNICA LLC IS PROHIBITED.



1 NOTE: THIS DIMENSION IS INCORRECT. NEW ELECTRONICS BOX IN THE WORKS WILL REQUIRE MORE CLEARANCE. LEAVE CLEARANCE FOR 7" MIN

UNLESS OTHERWISE SPECIFIED DIMENSIONS ARE IN INCHES TOLERANCES ARE: DECIMALS .XX = \pm .01 .XXX = \pm .005 .XXXX = \pm .0005		CAD GENERATED DRAWING, DO NOT MANUALLY UPDATE			
ANGLES XX.X = .5° SURFACE FINISH 63		APPROVALS	DATE	PARALLEL ASSY MOUNTING	
MATERIAL N/A		DRAWN	07/26/10		
FINISH BLACK ANODIZE		CHECKED			
DO NOT SCALE DRAWING		RESP ENG			
		MFG ENG		SIZE B	N/A
		SCALE 1:3		REV. NC	
				SHEET 1 OF 1	